

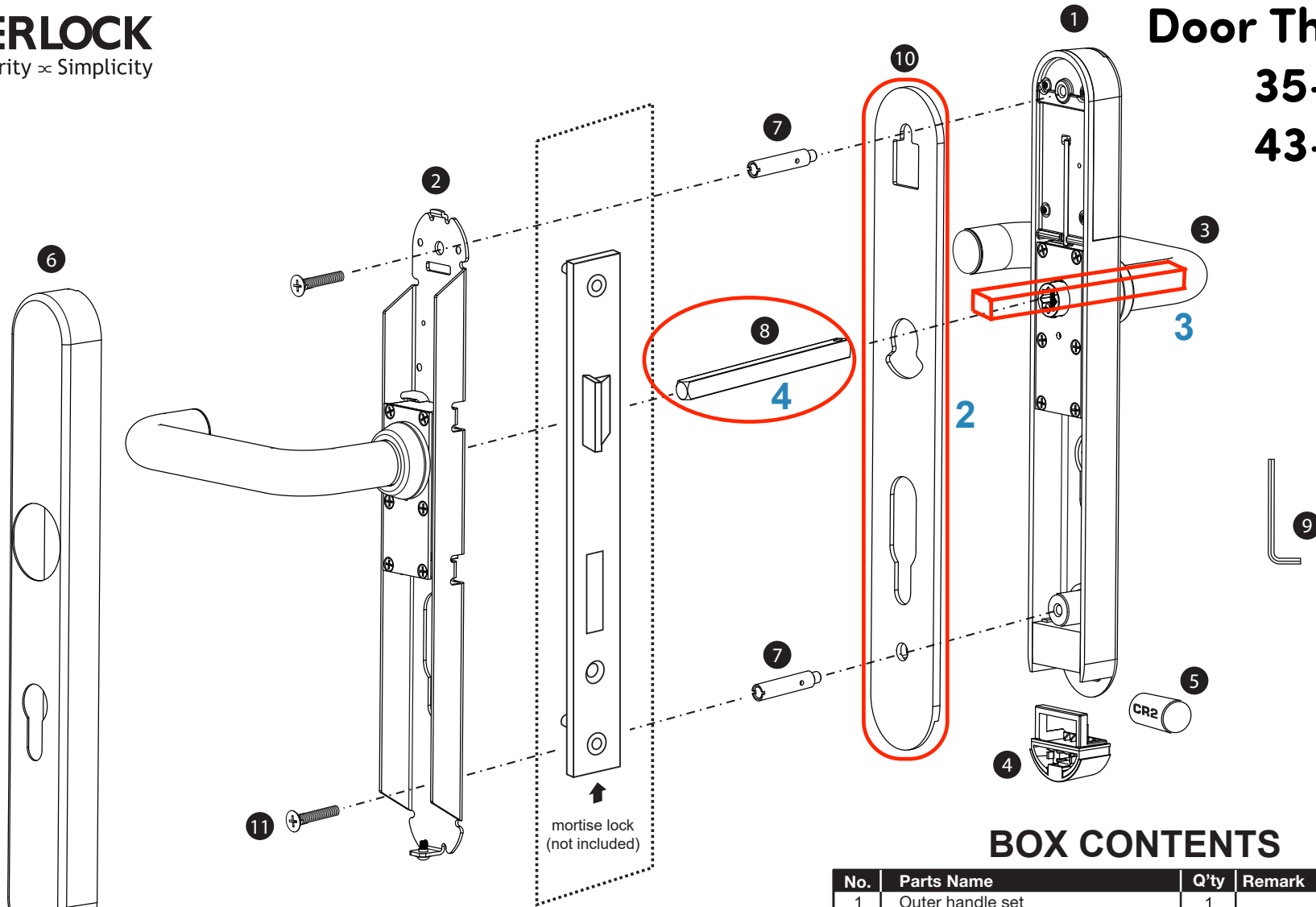
## L700N-L701N

### What are the adjustments:

1. Additional support for outside handle
2. Rubber seal for outer door
3. Lever handle pin extends into handle (inside)
4. Spindle up to door thickness 90mm



**Door Thickness**  
**35-43**  
**43-90**



**BOX CONTENTS**

No.	Parts Name	Q'ty	Remark
1	Outer handle set	1	
2	Inner handle set	1	
3	Handle	2	
4	Battery holder	1	
5	CR2 lithium battery	1	CR2 3V
6	Cover plate	1	For the inner handle set
7	Fixing pole	2	
8	Spindle	1	
9	Hexagon driver (#1.5)	1	
10	Waterproof gasket	1	
11	Screw	2	

