

SW-100 Weatherproof Exit Button Installation Manual

The SW-100 weatherproof exit button adopts NEMA 4X rated enclosure and ensures strength and durability in indoor and outdoor environment.

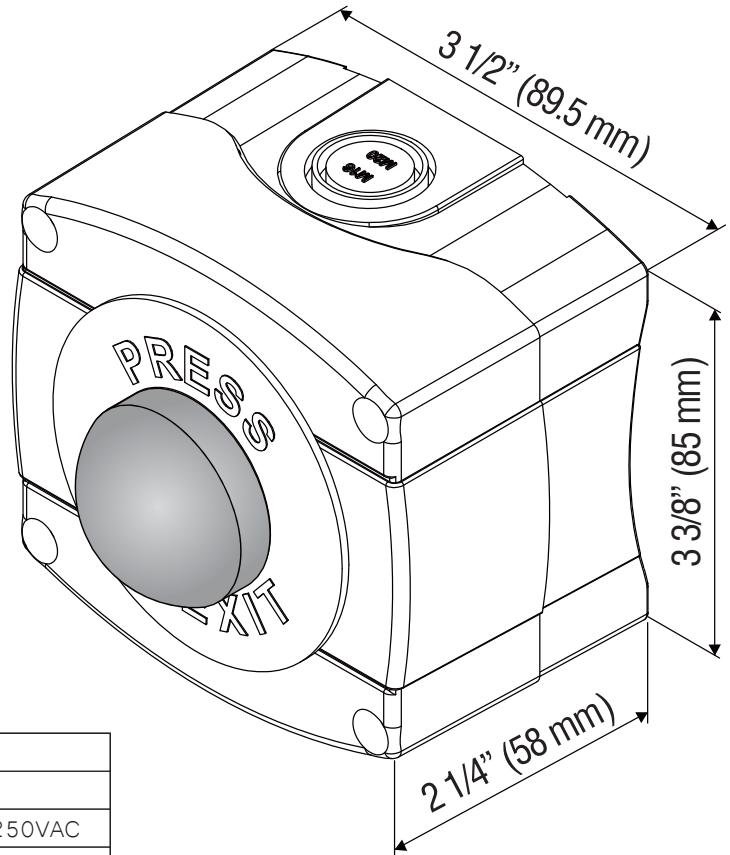
In the case of negative pressure or vacuum, dust and moisture easily pass through the enclosure. The NEMA 4X rated enclosure protects the internal electronics from windblown dust and rain.

FEATURES

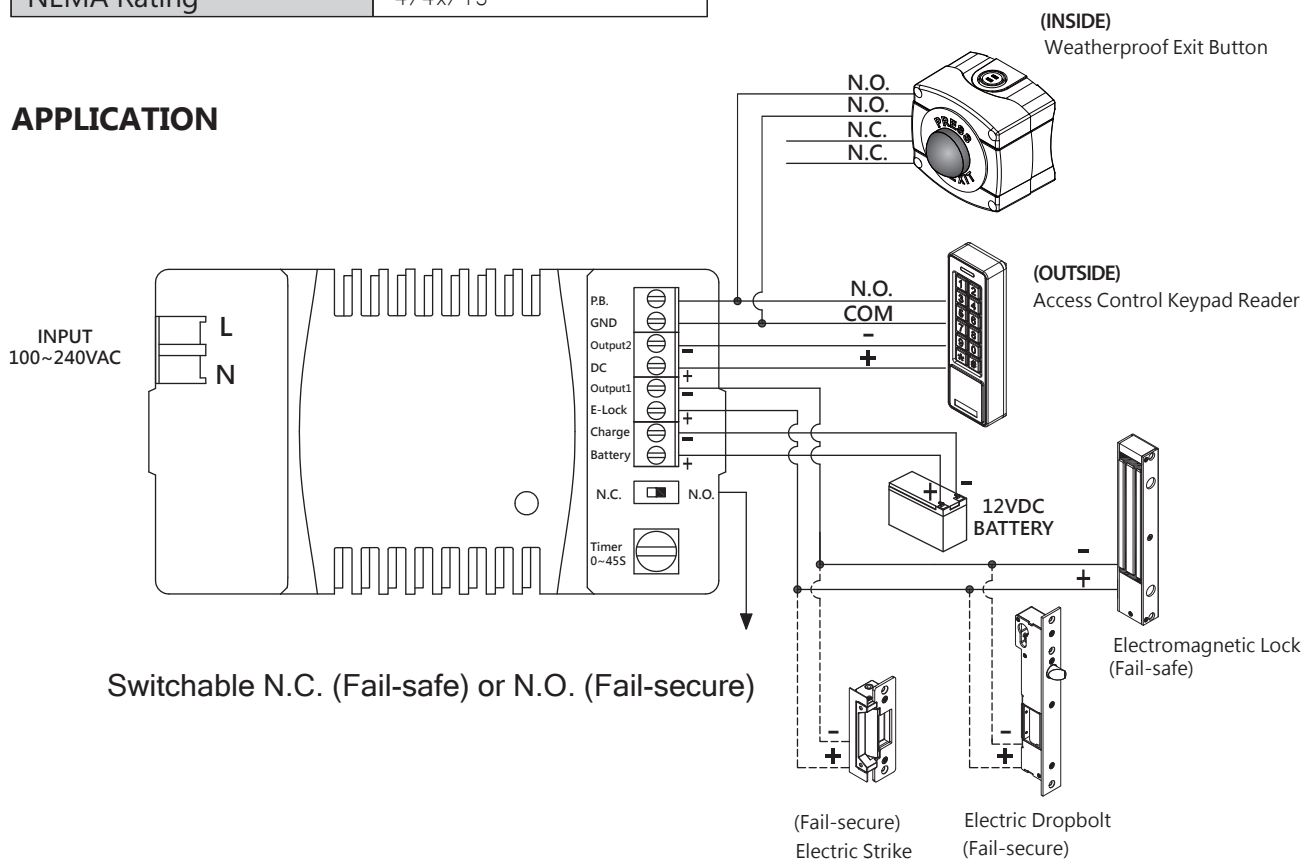
- Momentary DPDT contact
- Easy installation
- IP65 rated housing

SPECIFICATIONS

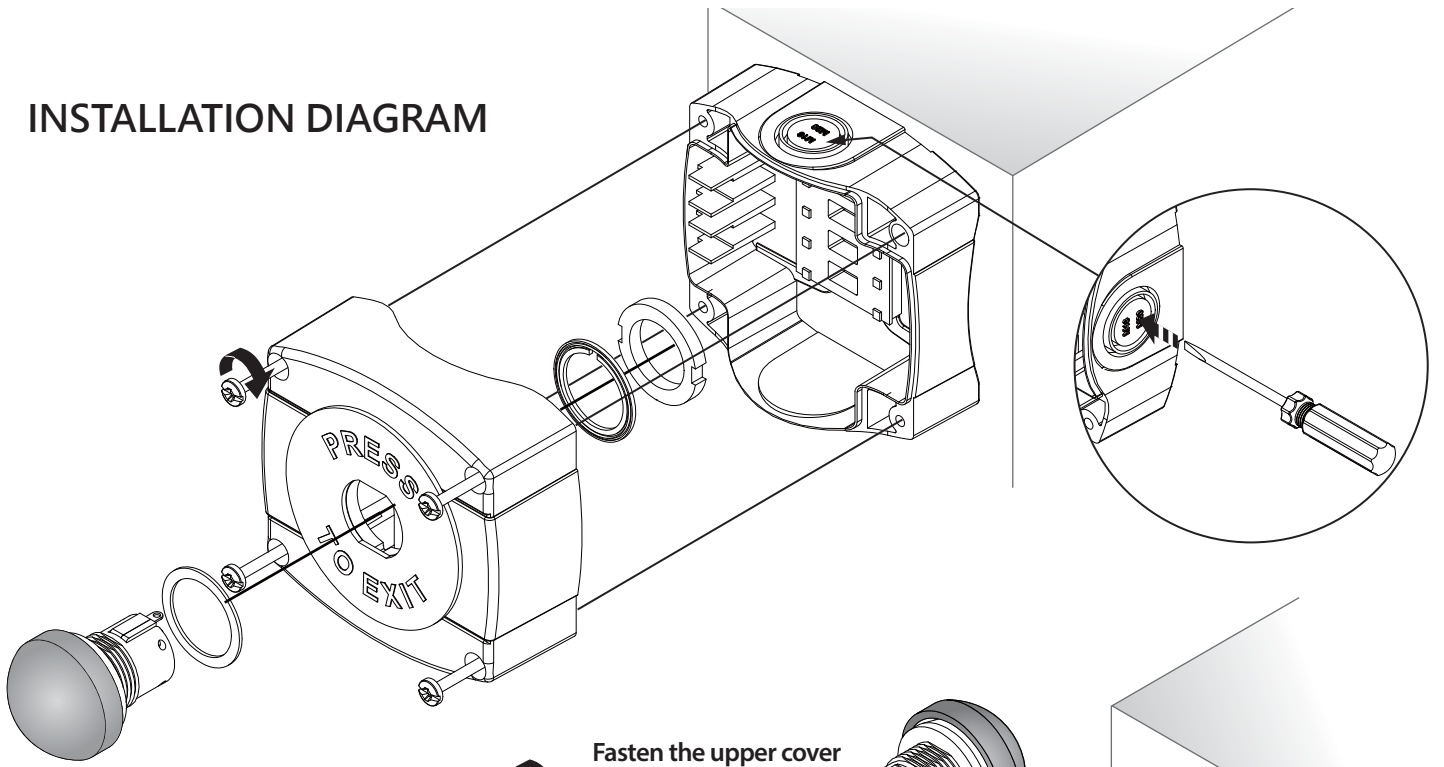
Model	SW-100
Switch Type	Momentary, DPDT
Contact Rating	6A/125VAC, 3A/250VAC
Operating Temperature	-20~+70°C
Ingress Protection Rating	IP65
NEMA Rating	4/4x/13



APPLICATION



INSTALLATION DIAGRAM



Fasten the upper cover to the back cover.

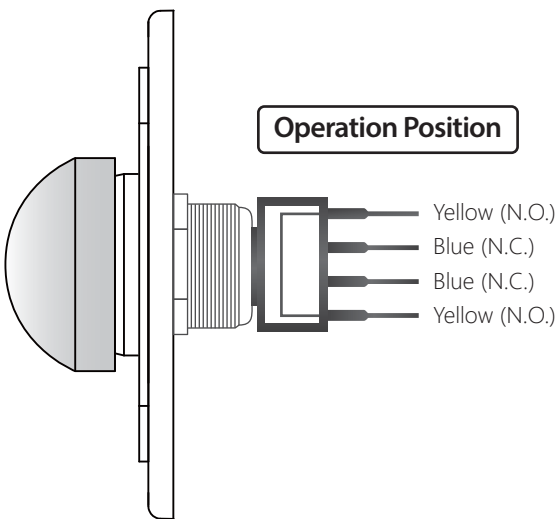
Screw x 4

Install the switch to the cover.

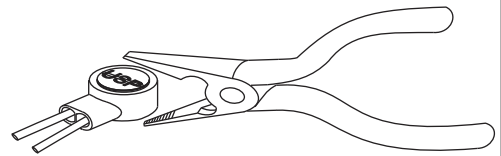
Fix the ring.

Install the back cover to the wall.

Phillips Flat Head Screw x 4



Butt Splice (IDC) Connector



Using crimper or pliers and pressing the header of connector down to even position