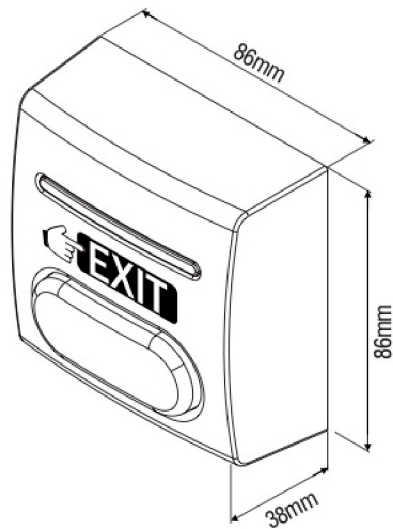


SP-115/SP-115 LED Push Button Operation Instructions

◆ Specifications

Model	SP-115	SP-115 LED
Operating Voltage	-	12/24 VDC/AC
Current Draw	-	30~40mA/12VDC 40~60mA/24VDC
Output Contacts	NC/COM/NO	
Contact Rating	3A/12VDC 3A/120VAC	
LED Indicator Light	-	Red/Green (with color switch)
Temperature	-20~+70°C	



◆ Wiring Diagram

The SP-115 LED includes one pair of NO and NC output contacts, which can directly connect to a locking device or connect in parallel or series with access control systems.

Note:

1. Make sure that the power input and relay rating output (3A 120VAC/3A 12VDC) are correct.
2. Make sure that the "+" and "-" wires are connected correctly.
3. The door strike or relay must have a varistor or a diode across the door strike terminals to suppress the back EMF of the strike. Failure to do so will damage the relay contacts and electronic components, or even burn the controller.

