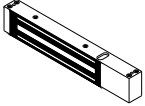
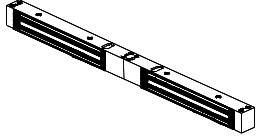
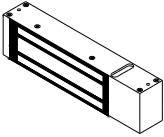
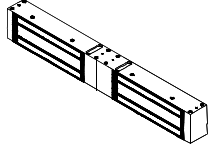


ELECTROMAGNETIC LOCK INSTALLATION INSTRUCTIONS

※Model

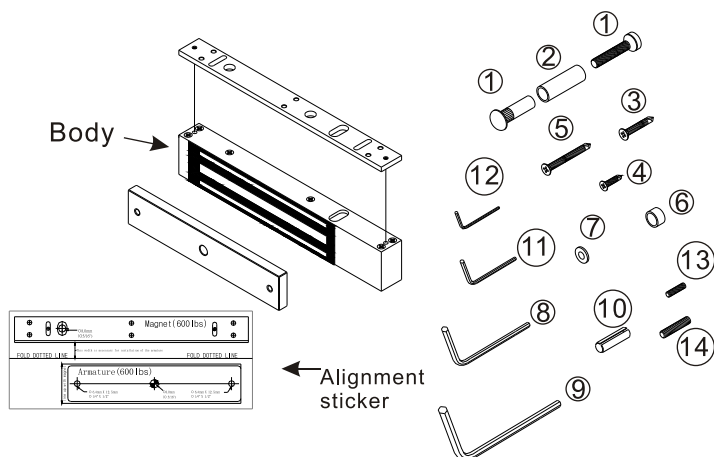
	600lbs	600lbs Double	1200lbs	1200lbs Double
Diagram				
Primary	SL-200S	SL-200DS	SL-220S	SL-220DS
Standard	SL-200	SL-200D	SL-220	SL-220D
T-type	SL-200T	SL-200DT	SL-220T	SL-220DT
A-Type	SL-200A	SL-200DA	SL-220A	SL-220DA

※**Primary**:NO indicator ※**Standard**:Indicator and monitor output included ※**T-type**:Indicator,monitor output,delay time and push button input included. ※**A-Type**: Indicator, lock state output and door position output.

※Specification

Item	Model	SL-200 Series	SL-220 Series	Notes
Power Supply		DC12V / DC24V	DC12V / DC24V	±15%
Operation current		450mA / 12VDC 235mA / 24VDC	500mA / 12VDC 250mA / 24VDC	±10%
Lock status output		N.O. / N.C. RELAY output(Primary type not available) (contact rating 1A@30VDC / 0.5A@125VAC)		Hall effect sensor
Door position output		N.O. / N.C. (Only for A-Type model contact rating 250mA)		Reed switch
Delay Time		0 / 2.5 / 5 / 9Sec. (Only for T-type model)		
Application		Exit door ,Out-swing door and In-swing door		
Holding forces		600lbs	1200lbs	
Operation temperature		40°C ± 5°C (Room temperature 30°C)		
Warranty		The warranty is 1 year under normal circumstances		
Weight		2150g	4900g	

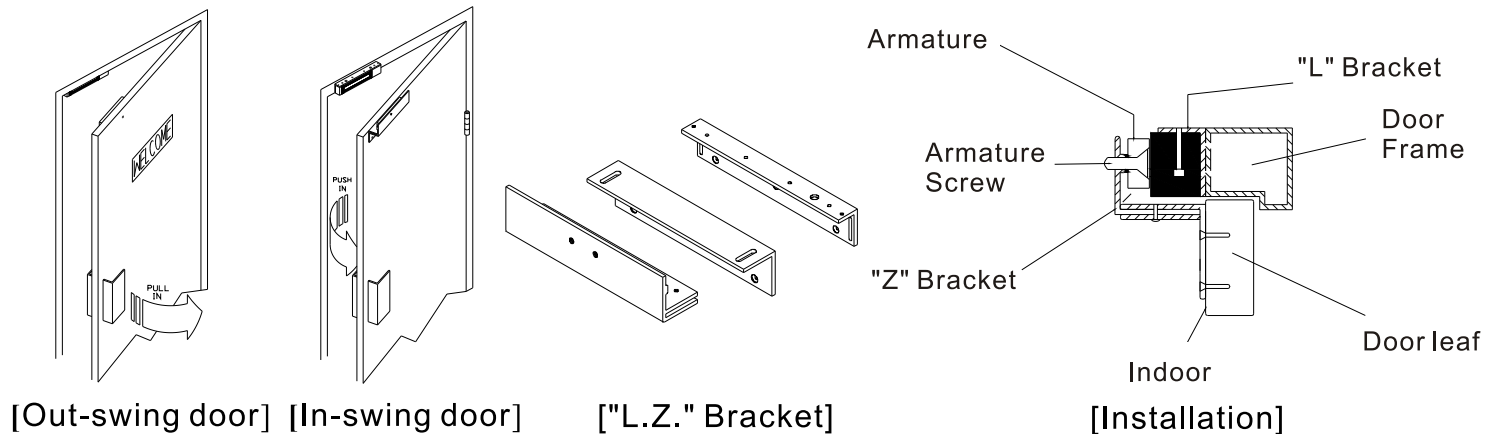
※Accessories diagram



Type	Quantity	Model type		
		SL-200	SL-220	
1	Sexnut Bolt	1	1	
2	Door spacer	1	1	
3	Screw 4x25mm	6	2	
4	Screw 4x15mm	3	1	
5	Screw 5x32mm	X	4	
6	Rubber washer	2	2	
7	Washer	3	3	
8	Allenkey 3mm	1	X	
9	Allenkey 5mm	1	1	
10	Guide pins	2	2	
11	Allenkey 2mm	X	1	
12	Allenkey 1.5mm	1	X	
13	Anti-tamper screws	2	X	3x10mm
14	Anti-tamper screws	X	2	4x16mm

※Installation instructions

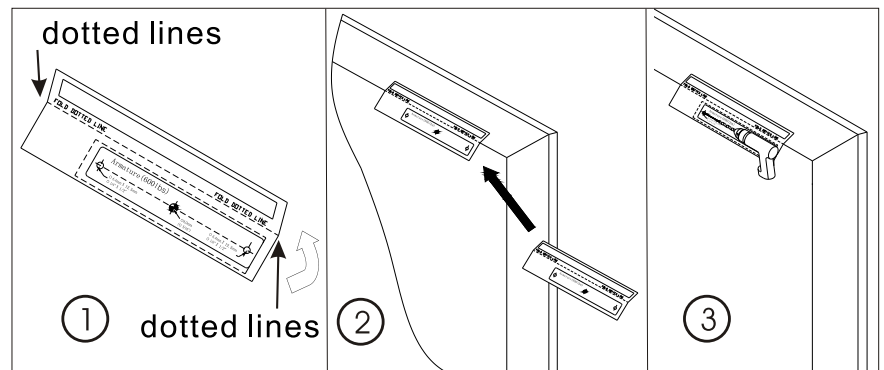
When installing magnetic lock user should be sure of the type of door used. Magnetic lock is specifically for the use of out-swing door. A bracket is used to install with magnetic lock for in-swing door. Regardless the type of door used, the lock must be installed or mounted indoors.



※Out-swing door

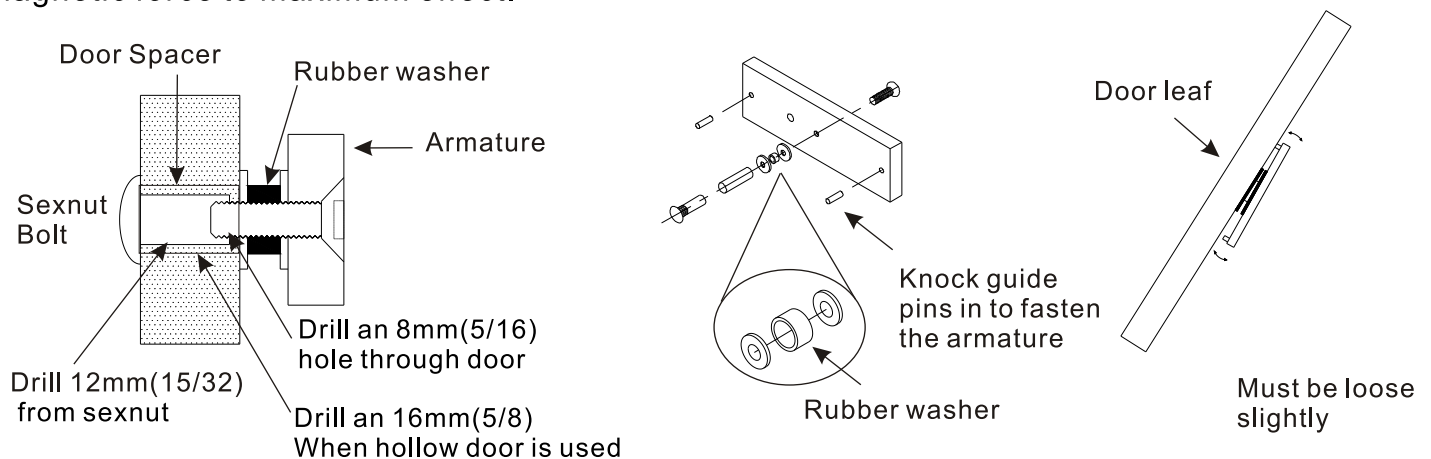
Step1: Alignment and hole drilling

Fold the dotted lines of the alignment sticker(90°). Stick the sticker onto the installing position and drill holds according to the indicated positions of the sticker.



Step2: Installing armature

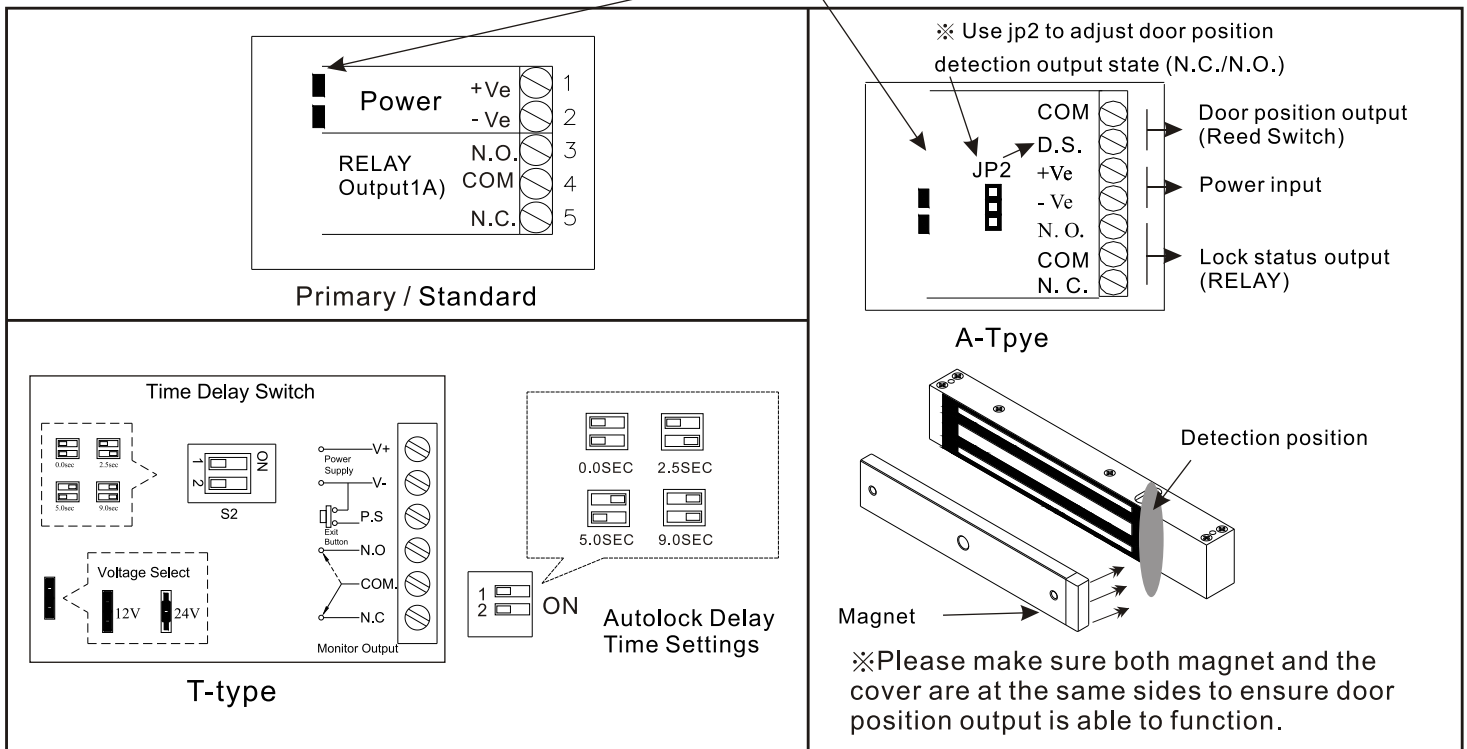
Ensure the armature is set to the right position and drill a 12 mm hole from sexnut bolt side and drill an 8 mm hole through the door. When hollow door is used, user should drill a 16 mm hole. A door spacer is used to fit in a sexnut bolt. Then, push the sexnut bolt in the drilled hole and tighten it with screw driver. The armature must be loose slightly to compensate the door misalignment, so that the armature face and the magnet face can be closed and make the magnetic force to maximum effect.



Step3: Install the body

Fix the body the door to test if both door leaf and door frame are closed tightly and both the armature and the body are at the correct positions.

Step4 : Select the correct voltage and delay time

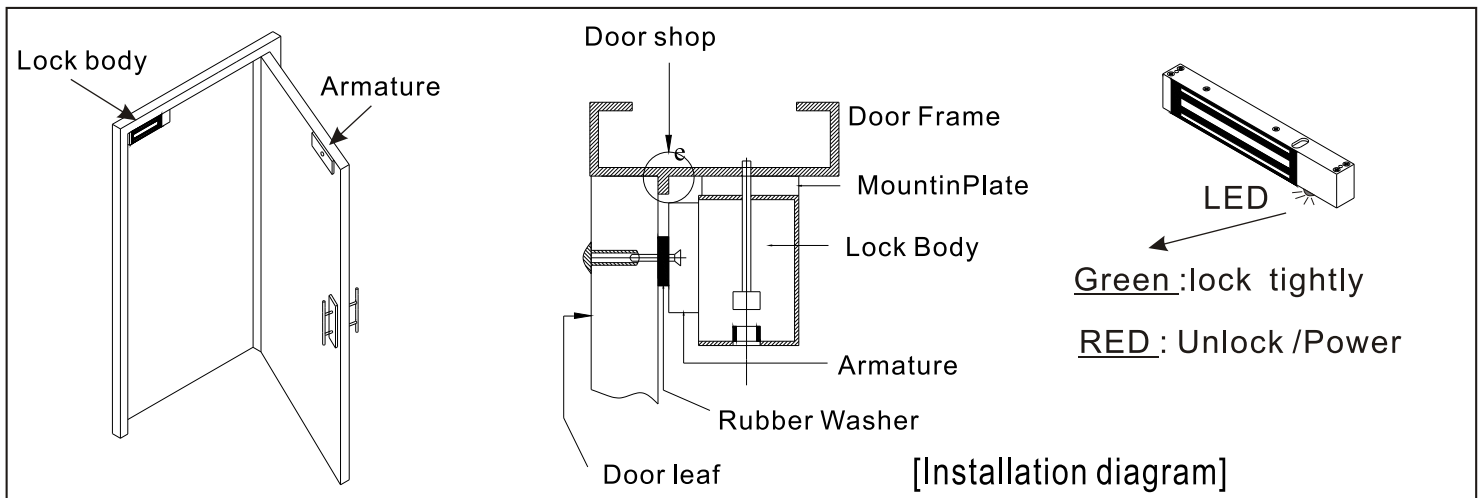


✱Lock state output will change to N.O. point when magnetic lock and armature are engaged (Red light of indicator will change to green light).

✱RELAY contact rating: 1A/30VDC or 0.5A/125VAC.

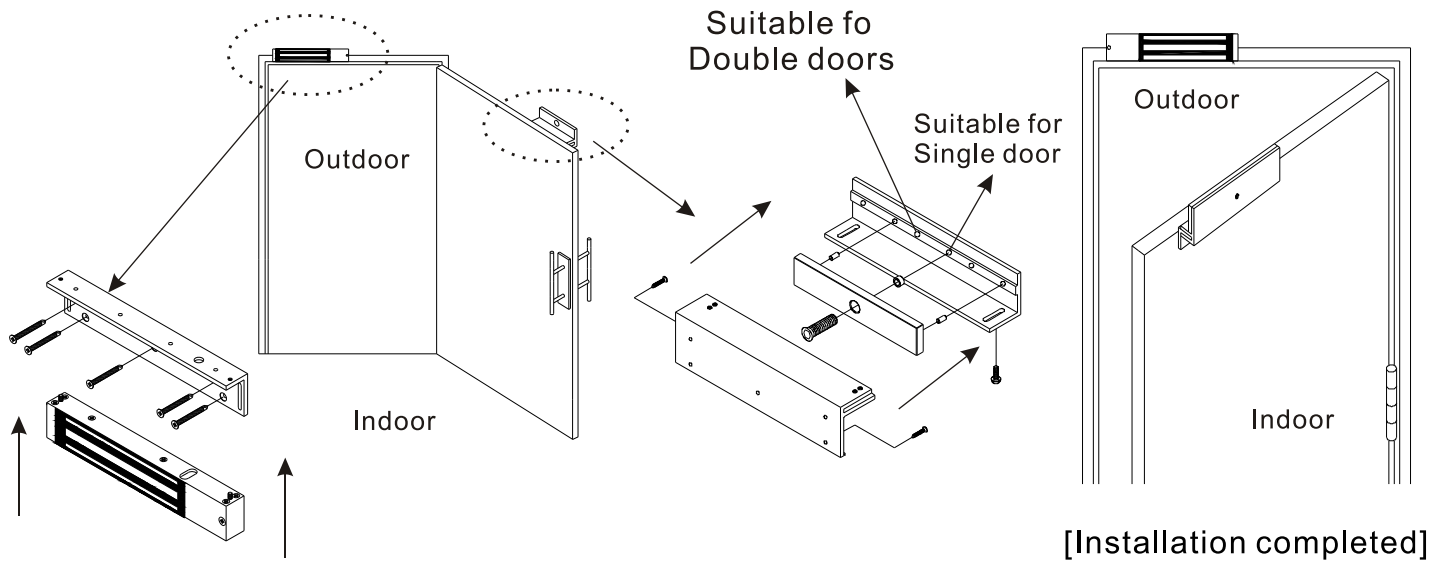
Step5: Connect to the power supply

Please connect to the power supply and make sure both electromagnetic lock and armature are able to close tightly when the door is closed. If both of them are unable to close tightly which might cause low magnetic (unable to close tightly) and door to open easily. Please loosen the screws of the armature to solve the problem.



In-Swing door (brackets are needed)

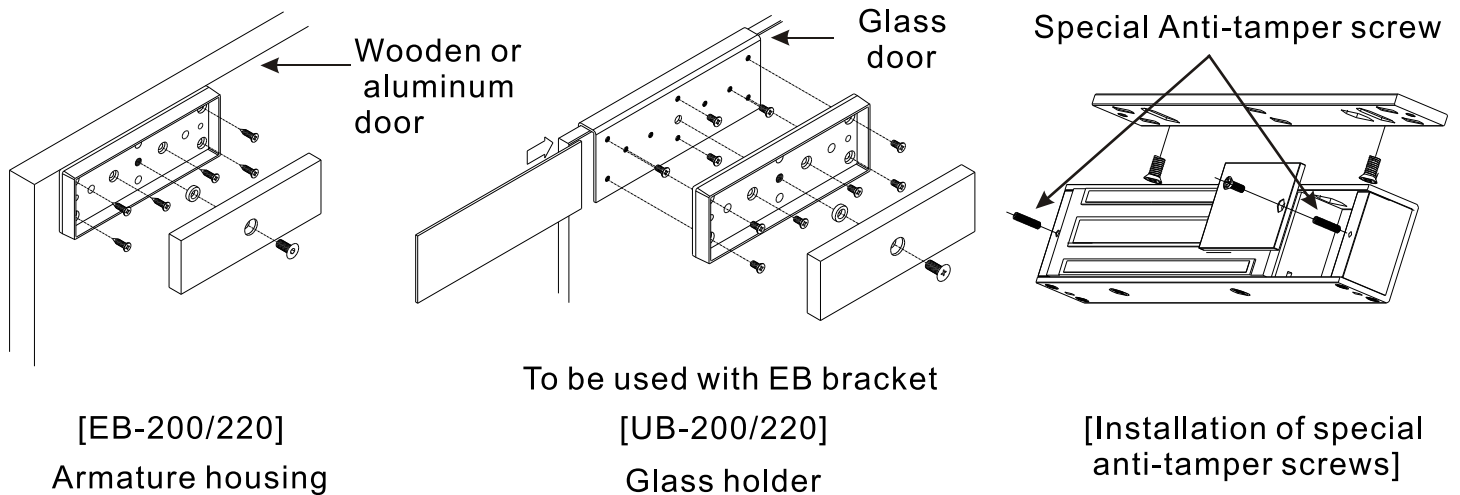
Fix the electromagnetic lock on the door frame and fix the armature with the L.Z. Bracket on the door leaf.



※(Setting of voltage, please refer to out-swing door 『 Step 4 』)

※**Attentions:**

- (1) Special anti-tamper screws prevent any illegal tamper and mount the lock tight to prevent any loosens of other screws. They are the last screws to screw when the lock itself is mounted.
- (2) The lock is for 90° door. Additional shear lock is needed for 180° door.
- (3) The armature must be loose slightly so that the unit is engaged tightly.
- (4) Door spacer in accessories is for hollow door locking when the deformation due to use ,so use at your own discretion.
- (5) EB/UB series of armature brackets(optional) are used when installing out-swing door.



Question & answer	
◆	Door is not locked tightly.
	1.Check if the voltage is correct. 2.Check if the setting of voltage is correct. 3.Check if the magnetic lock and armature are engaged tightly.
◆	Indicator light is unable to show green light when door is closed.
	1. Check if the armature is mounted to the correct position.(refer to page2) 2. Check if the voltage is set correctly. Any dust or rust will affect the operation of the lock.
◆	Maintenance of the magnetic lock.
	1. Any dust or rust should be removed regularly. 2. Lubricant should be apply on the magnetic lock to avoid any rust depending on the environment it is installed (such as at the seaside).