



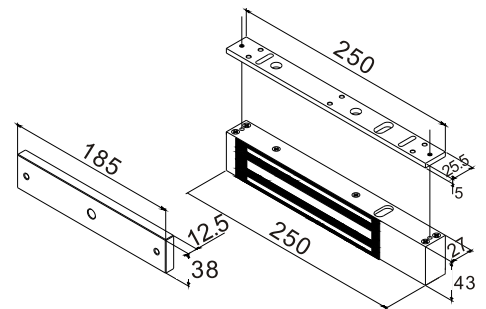
### Series Model

- SL-200 :With lock status indicator and door position detection output (NO/NC)
- SL-200S:Without indicator and door position detection output
- SL-200T:With delay and door open push button functions (stand-alone and do not need to connect with access control unit)

### Special features

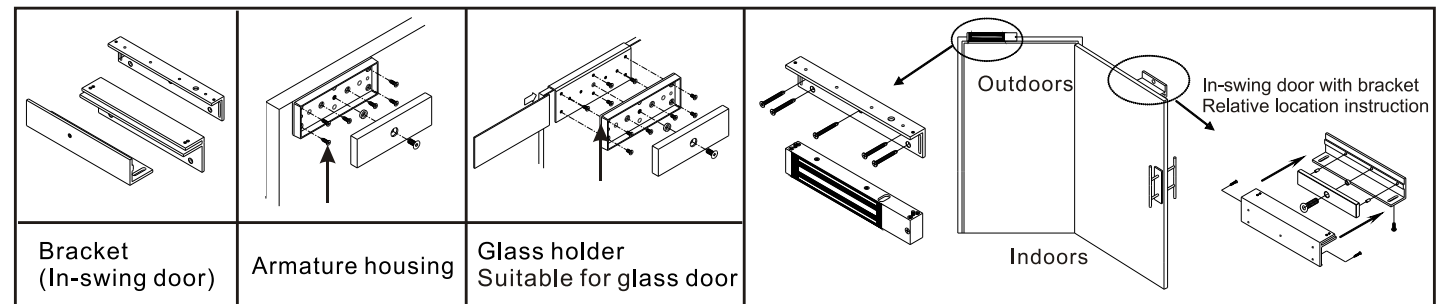
- Holding force:600lbs(250Kg).
- Suitable for Exit door ,Out-swing door and In-swing door.
- Power Supply: DC12V or DC24V (adjustable)
- Fail-safe (power to lock) electric lock suitable for fire exit.
- Special surface enhancement process which is anti-rust for its durability.
- For use with any types of the access control unit with built-in surge absorber to prevent any interference to the reader.
- Special aluminum hardening, all materials used are fireproof.
- Monitor output with Hall Effect for its stability and high accuracy.

Specification	Dimensions		
	SL-200S	SL-200	SL-200T
Delay Time	X	X	0,3,5,9 Sec.
Open door contact	X	X	Photo coupler contact
Lock status sensor	X	N.C. & N.O. Output (Reed switch) 0.25mA	
Indicator	X	Double-colored LED light	
Power Supply	DC 12V or DC24V ±15%		
Operation current	450mA@12VDC mA ±5% / 235mA@24VDC mA ±5%		
Application	Exit door ,Out-swing door and In-swing door		
Holding forces	600lbs(250Kg)		
Demagnetizer design	Instant demagnetizer when power is off.		
Operation temperature	40°C ± 5°C (Room temperature 30°C )		
Weight	2150g (included wrapping)		



Unit: mm

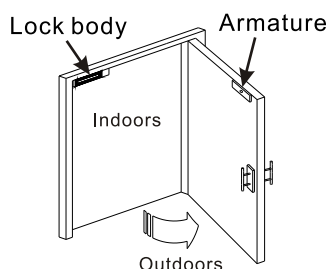
### Related products



### Structure diagram

※Note: The lock unit has to be installed indoors.

【Out-swing door】



【In-swing door】 \*Bracket is needed

