



SL-133 Fail-safe Type Deadbolt Lock

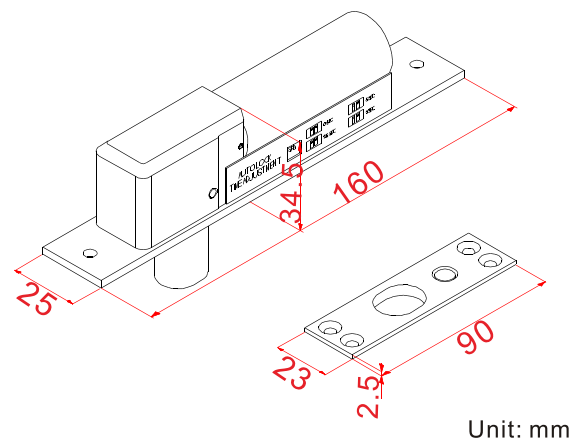


- Fail-safe electric lock, 160mA low current consumption suitable for emergency exits in public places.
- Door-position detection output for security main unit use.
- Special wearable design. Mechanic life of more than 1000,000 times.
- Micro computer door position detection and current control to prevent error action and lower the lock's temperature.
- Stainless steel bolt with tamper-proof function.
- Built-in photo coupler door open push button input contact. Door will lock again automatically when door is not open within 6 seconds.

Specification

Power Supply	DC 12V ± 10%
Operation current	830mA ± 10%
Holding current	160mA ± 10%
Relock Function	×
Door Positions Sensor	N.C. & N.O.
Application	all types of 90~180° door
Delay Time	0 ~ 3 Sec.(Available to set)
Mechanic life	more than 1000,000 times
Door Open Contact	Photo coupler contact
Overloaded Current Protection	×
Operation temperature	0~90°C ; 85%Rhmax
Range of the door gap	Maximum of 10 mm
Legth of bolt	16mm
Weight	226g (included wrapping)

Dimensions



Structure Diagram

<p>Hollow metal door</p>	<p>Wires facing downward</p>	<p>Door position detection output</p> <p>When door is not closed, detection output is COM and N.O. Connected.</p> <p>When door is closed, detection output is COM and N.C. Connected.</p>
---------------------------------	-------------------------------------	--