



SL-120 Fail-secure Type Deadbolt Lock



- Door position detection and bolt position output points.
- Special wearable design. Mechanic life of more than 500,000 times.
- Stainless steel bolt is able to sustain more than 1000 kg of shear force.
- Fail-secure (power to open) electric lock suitable for all types of 90~180° door.
- Built-in oval cylinder as unlocking device. Use of oval cylinder to unlock when power cut occurred or during emergency.
- Micro computer door position detection and current control to prevent error action and lower the lock's temperature.
- Built-in photo coupler door open push button input contact. Door will lock again automatically when door is not open within 5 seconds.

Specification

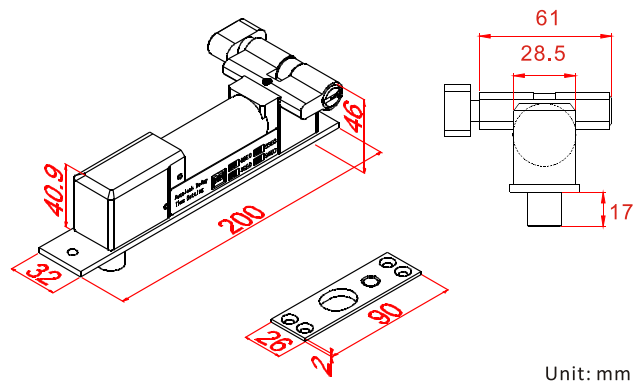
	SL-120A	SL-120U	
Power Supply	DC 12V	DC 12V	DC24V
Operation current	880mA	950mA	475mA
Holding current	320mA	340mA	195mA
Door position detection points	N.C.	N.C.&N.O.	
Bolt position points	×	N.C.&N.O.	
Relock Function	×	Maximum 60 times	
Application	all types of 90~180° door		
Delay Time	0,3,5,9 Sec. (Available to set)		
Mechanic life	more than 500,000 times		
Door Open Contact	Photo coupler contact		
Overloaded Current Protection	Available		
Operation temperature	60°C ± 5°C (Room temperature 30°C)		
Range of the door crack	Maximum of 10 mm		
Legth of bolt	17mm		
Weight	1100g (included wrapping)		

Series Model

SL-120A :DC12V, N.C. door position detection output

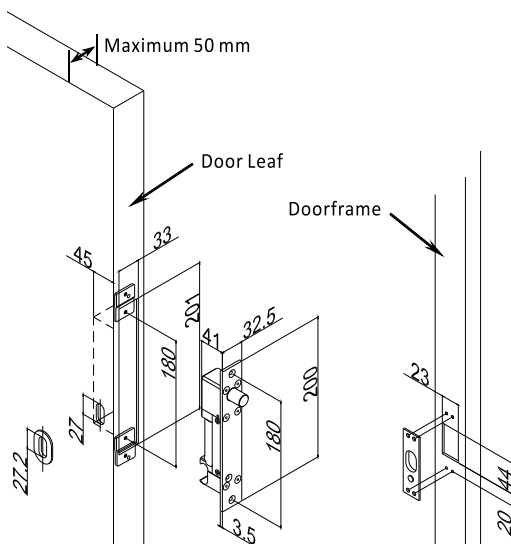
SL-120U :DC12V~24V , Door position detection and bolt position (N.C. & N.O.) output points. With relock function.

Dimensions

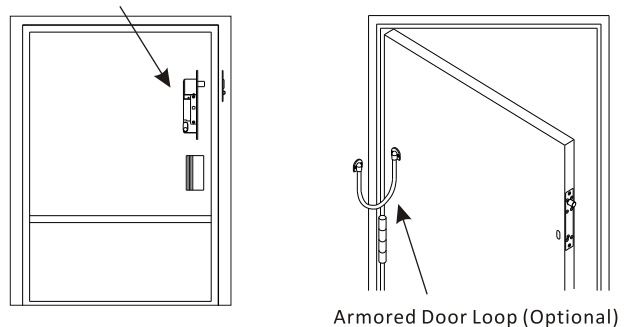


Structure Diagram

※ Please note the width limitation of door leaf.



※ The correct installation position of the electric lock on the door leaf, not on the door frame.



※ Door position detection output:

