

Datasheet Junior+

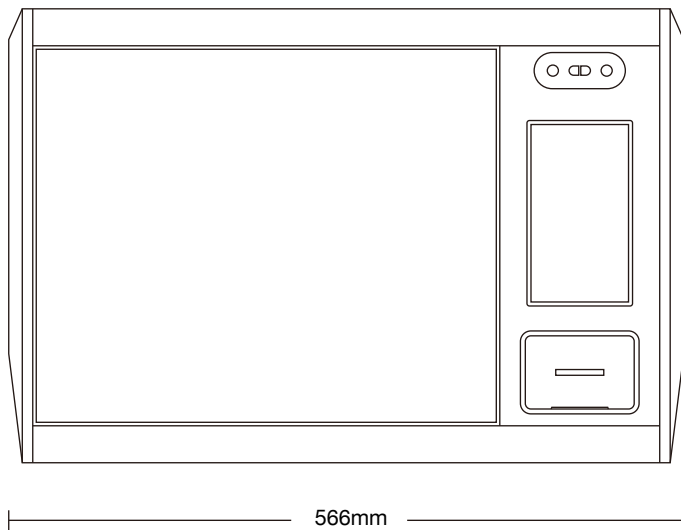


KEY-MASTER intelligent key management system adopts modern RFID technology to help you organize daily keys and valuables intelligently.

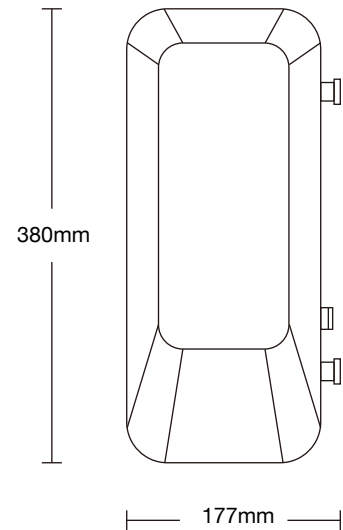
- Well-known advanced RFID technology, makes system fully automatic
- PMMA glass or stainless steel door to make keys more safer
- Only authorized users can be access to assigned keys in certain time
- Keys are under control via hardware and software realtime
- Integrated with most access control systems

Key Cabinet	
Material	Sheet steel, power coated & ABS
Dimension (HxWxD)	380 x 566 x 177mm
Weight	17kg
Operating temperature	-5°C ~ + 40°C
Humidity	95% non-condensing relative humidity
Power	100 / 240V 50/60 Hz 60W
Power consumption	Idle 12V 9W Max 12V 20W
Back-up battery	No
Door option	Steel
Door lock	Electric motor freezer lock
Mounting	Wall mount
Certification	CE, FCC, RoHS
Type of KeySlot	8 position key rows
Key slot LED	3 possible states per key position:
	- Blue: access granted
	- Red: alarm
	- Off: no access
Number of keys	26
Number of doors	1
Extendible	No
Automatic door	No
RFID KeyTag	
Type	PVC flat tag with kabel security seal
Material	PVC
Frequency	125 Khz
Dimension (HxWxD)	63,6 x15x 9mm
KeyTag ring diameter	28.50mm
KeyTag ring material	Stainless steel
Terminal Control	
Cabinet access	RFID, PIN code, fingerprint, face recognition
Card reader frequency	125 Khz / 13.56 Mhz (EM, Mifare, Mifare-Desfire)
Display	7" touch screen
Operating system	Android 5.1
Communications	TCP / Wifi
Operation	Offline / cloud
Customer external RFID reader	No
USB port	Yes

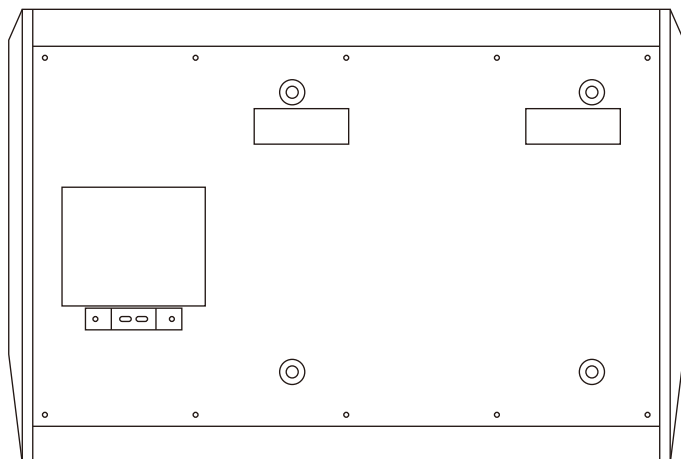
Junior+



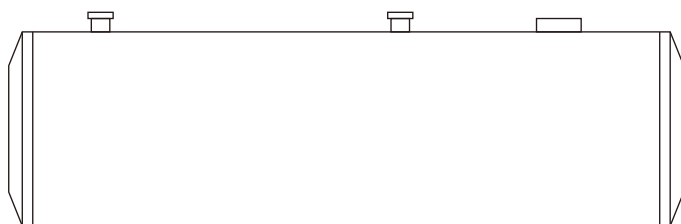
Front view



Side view



Rear view



Top view

