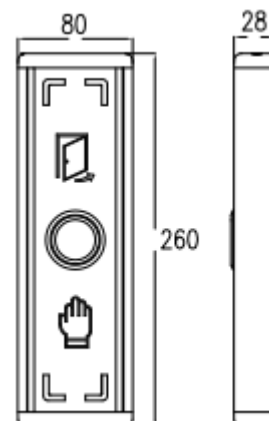


ES-80 Exit Button Manual



Features

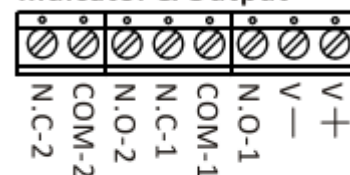
1. Obvious indicators around the edges of the unit.
2. Activate without pressing to prevent any disease contagion. It is suitable for access control system that widely used in public. Areas such as hospitals or restaurants.
3. Built-in buzzer.
4. Input power range from DC12-24V.
5. Easy to assemble, 2 set of output points to connect other equipment.



Specifications

Power supply	DC 12v~Dc 24V	± 5%
Operation current	DC 12V/38mA(Stand by)/62mA(Operation) DC 24V/24mA(Standby)/42mA(Operation)	± 15%
Buzzer	Enable/Disable	
Indicator	Dual-color (Blue and green).	
Output	COM. /N.O./ N.C. (Maximum load of 1A@30VDC / 0.3A@125VAC)	
Weight	600g	
Dimensions	260mm(L)x80mm(W)x28mm(H)	
Material	PC& Aluminum	

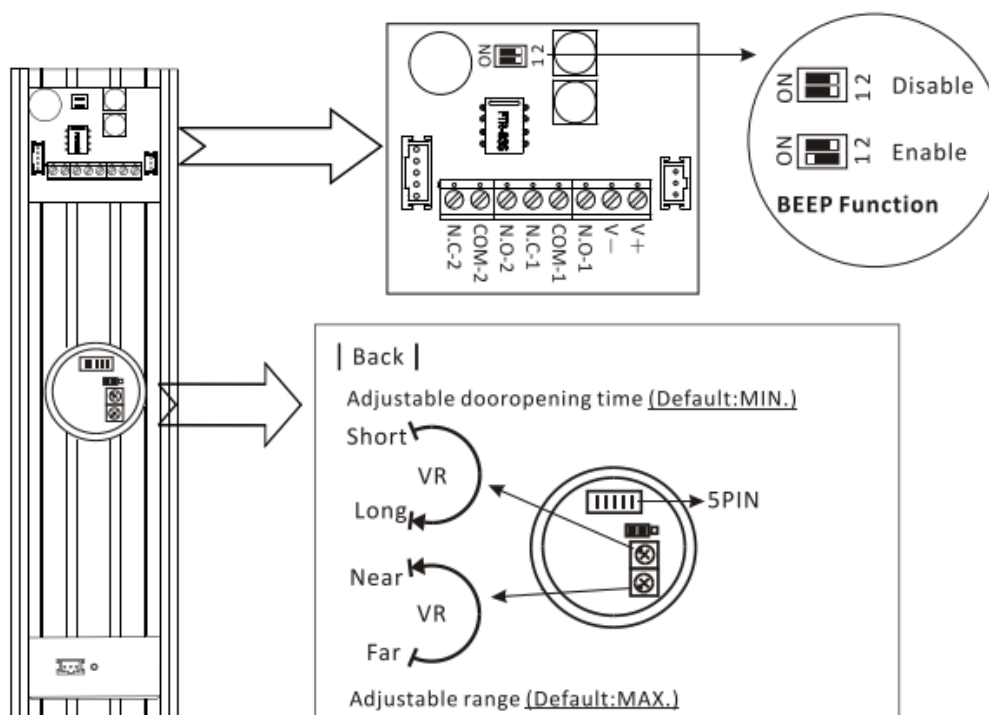
Indicator & Output



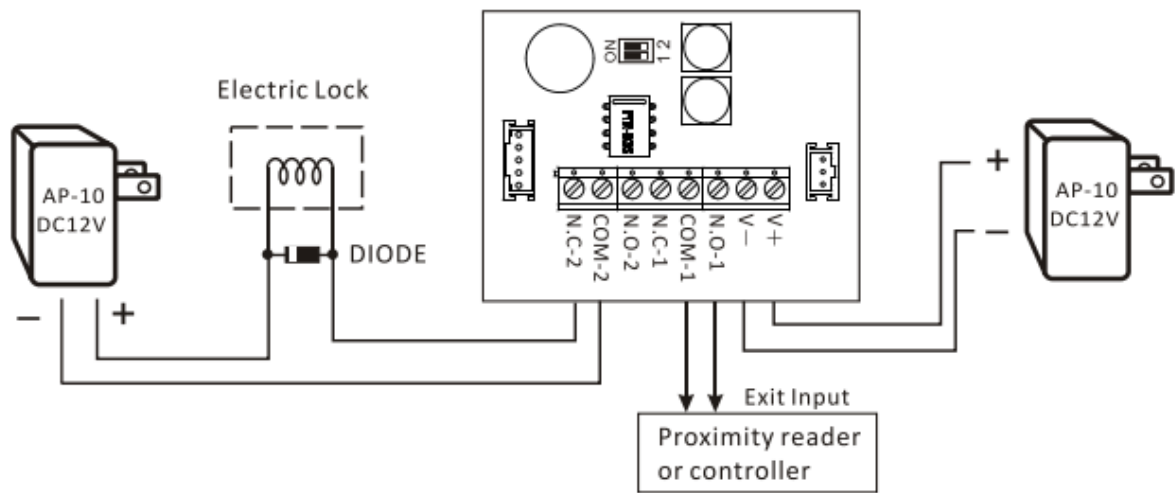
Standby :
Blue LED & N.C. Output

Active :
Green LED & N.O. output

Connections



Example of wirings



Installation

