

ES-65 Datasheet



The Es-65 allows you to transform your metal objects into a touch switch.

Eg. do you have a door puller that you want to convert into a switch to open the door pump when touched, no problem make sure the door handle is free from the earth and connect the Es-65 to the door handle by means of 1 wire. When a person touches the door handle, the relay on the Es-65 will switch and you can open the door pump.

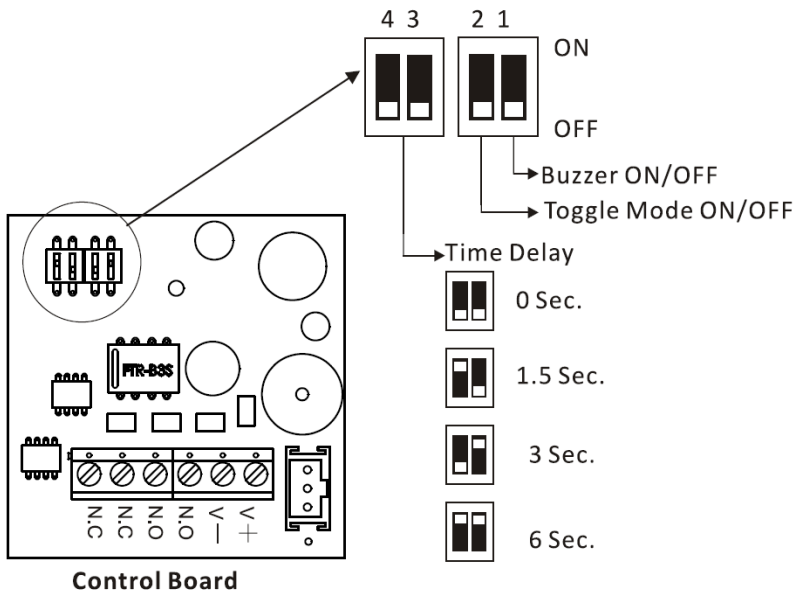
Features

1. Sensitive touch control switch. It is suitable for access control system that widely used in public.
2. Built-in buzzer.
3. Input power range from DC12-24V.
4. Easy to assemble, 2 set of output points to connect other equipment.

Specifications

Power supply	DC 12v~Dc 24V	$\pm 5\%$
Operation current	DC 12V/30mA(Stand by)/45mA(Operation) DC 24V/20mA(Standby)/30mA(Operation)	$\pm 5\%$
Buzzer	Enable/Disable	$\pm 82\text{db}$
Time Delay	Toggle Mode/ Trigggle Mode(0/1.5/3/6 Sec.)	
Indicator	Dual-color (Blue and green).	
Output	N.O.&N.O. / N.C&N.C. (Maximum load of 1A@30VDC / 0.3A@125VAC)	
Weight	51g	
Dimensions	PCB: 50mm(L)x60mm(W)x13mm(H) Housing: 80mm(L)x61mm(W)x21mm(H)	
Material	PVC housing	

Connections



Example of wiring

