

Mounting instructions ekey sLine

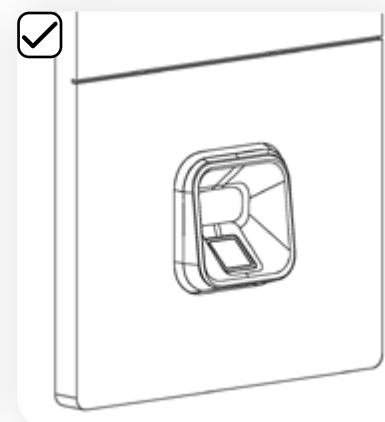
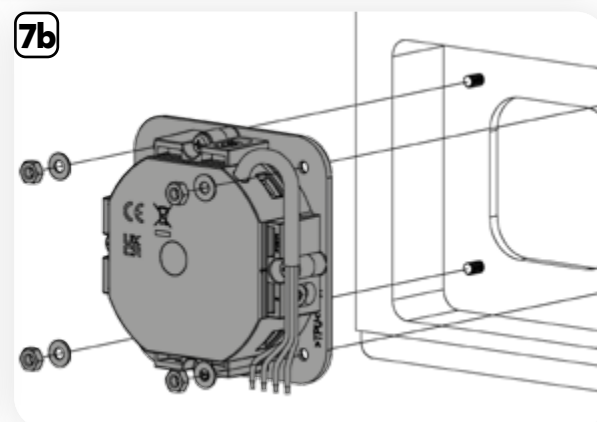
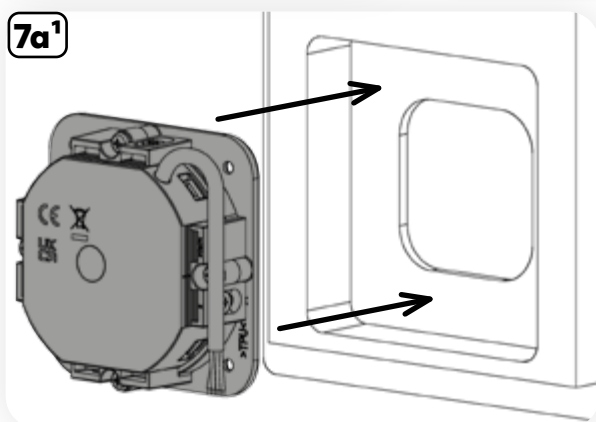
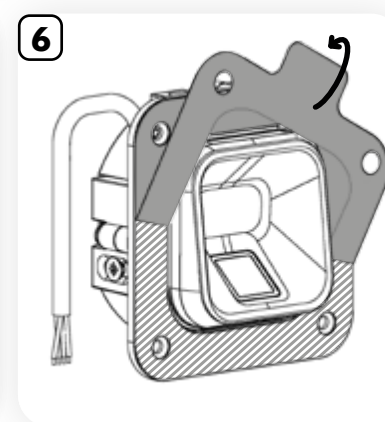
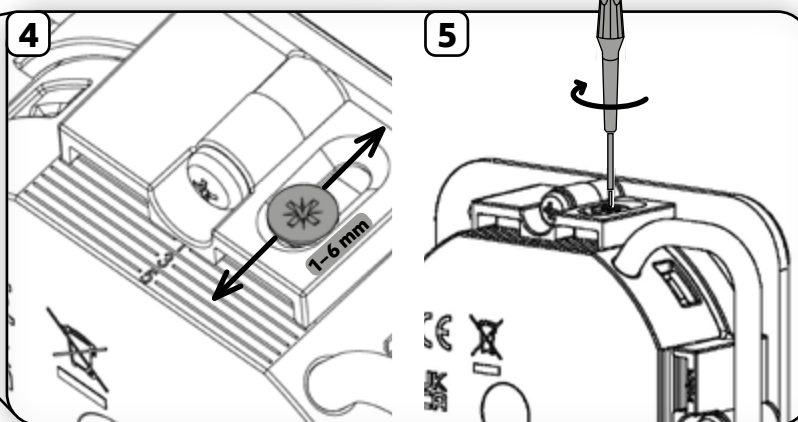
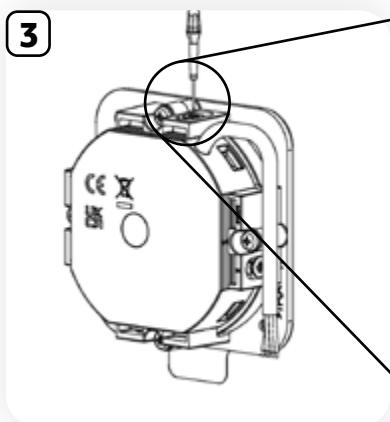
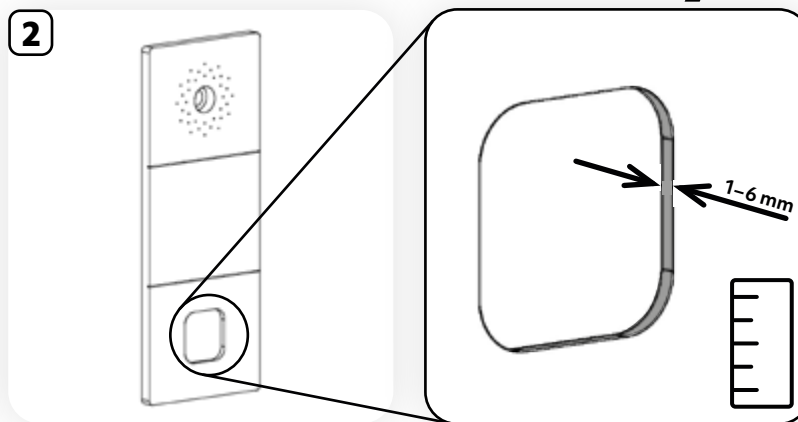
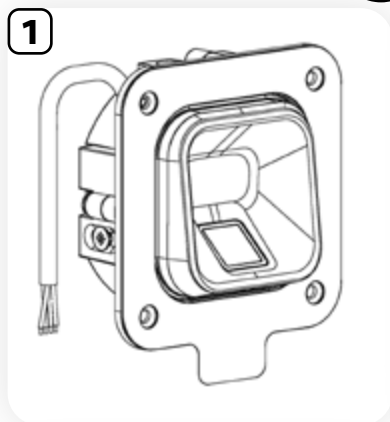


YOUR FINGER. YOUR KEY.

ID386/776/0/764: Version 1, 2022-07-07



850614



NOTE ON THE GLUE VARIANT

Remove the entire base foil. Thoroughly clean the surface where the device is to be mounted. Adhere the fingerprint scanner to a smooth, dry surface at room temperature. Apply a large amount of pressure to the surface to adhere the fingerprint scanner. The bond only reaches maximum adhesive strength after 3 days. Only then can the fingerprint scanner be fully loaded.

ATTENTION

Property damage in the event of incorrect mounting and wiring: The system devices are operated using electricity. They could be destroyed if they are mounted and wired incorrectly. Mount and wire the system devices correctly before connecting the power.

NOTICE

These mounting instructions are not subject to updating. We reserve the right to make technical modifications and change the product's appearance; any liability for errors and misprints is excluded.