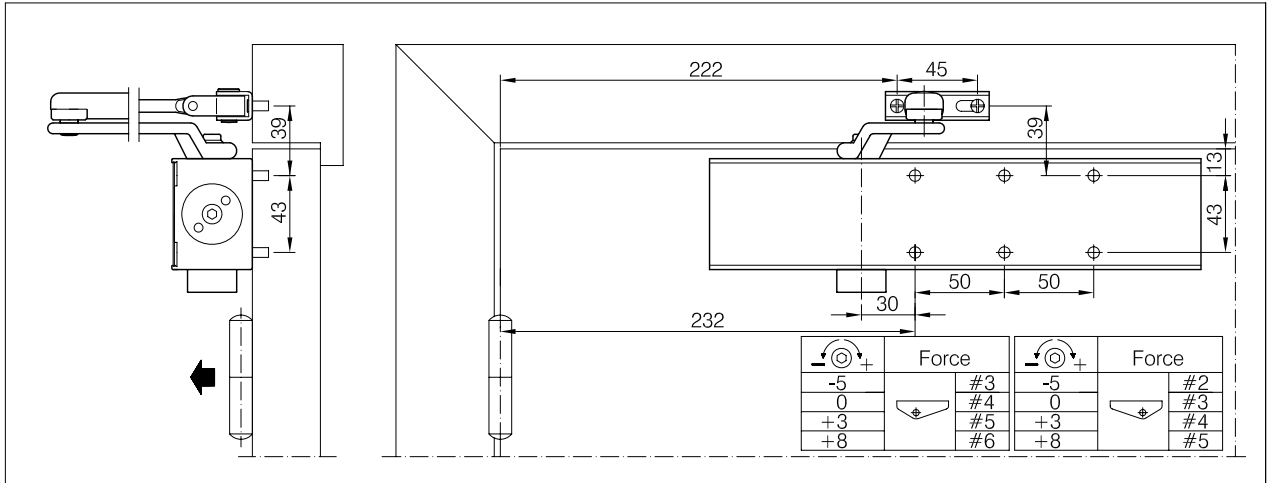


DORiNT 836

Applications
and fixing details

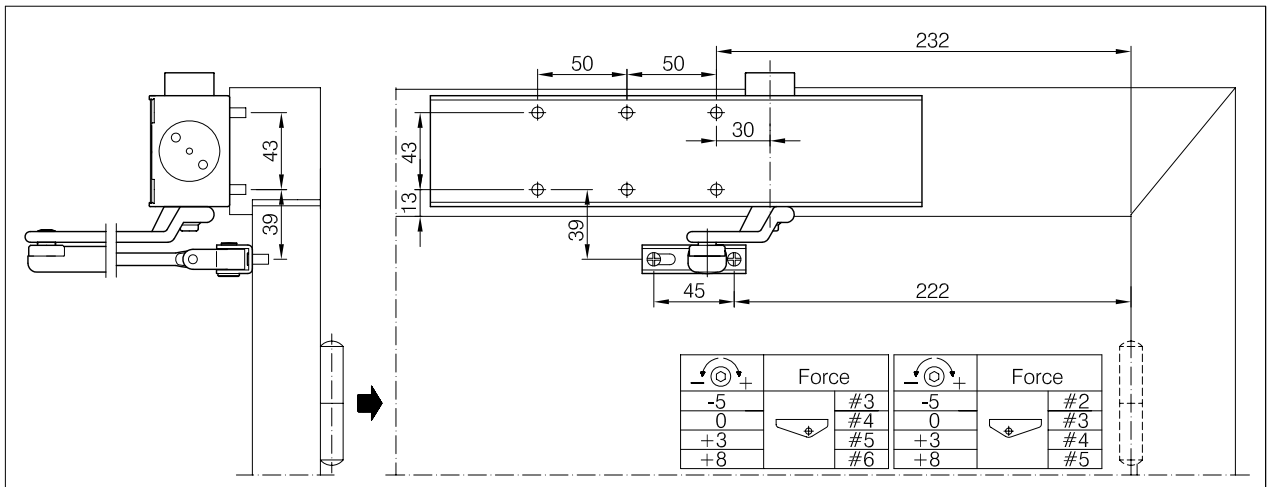
Door leaf fixing, pull side

(Example refers to left-hand [ISO 6] door; mirror image applies to right-hand [ISO 5] door)



Transom fixing (overhead frame installation), push side

(Example refers to left-hand [ISO 6] door; mirror image applies to right-hand [ISO 5] door)



Parallel-arm fixing, push side

(Example refers to left-hand [ISO 6] door; mirror image applies to right-hand [ISO 5] door). Parallel-arm bracket (accessory) necessary

